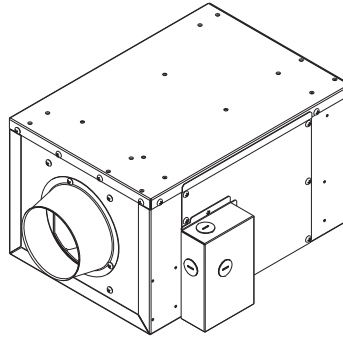


Service Manual

Cabinet Fan
(North America Market)

FV-10NLF1E



Model No.	Air direction	V	Hz	Power consumption (W)	Speed (PRM)	Air delivery (CFM)	Weight Kg (lb.)
FV-10NLF1E	Exhaust	120	60	30	1510	120	6.3(13.9)

*Power consumption, speed and air delivery values have been measured at 5mm WG (0.2" WG).

⚠ WARNING

This service information is designed for experienced repair technicians only and is not designed for use by the general public. It does not contain warnings or cautions to advise non-technical individuals of potential dangers in attempting to service a product. Products powered by electricity should be serviced or repaired only by experienced professional technicians. Any attempt to service or repair the product or products dealt with in this service information by anyone else could result in serious injury or death.

IMPORTANT SAFETY NOTICE

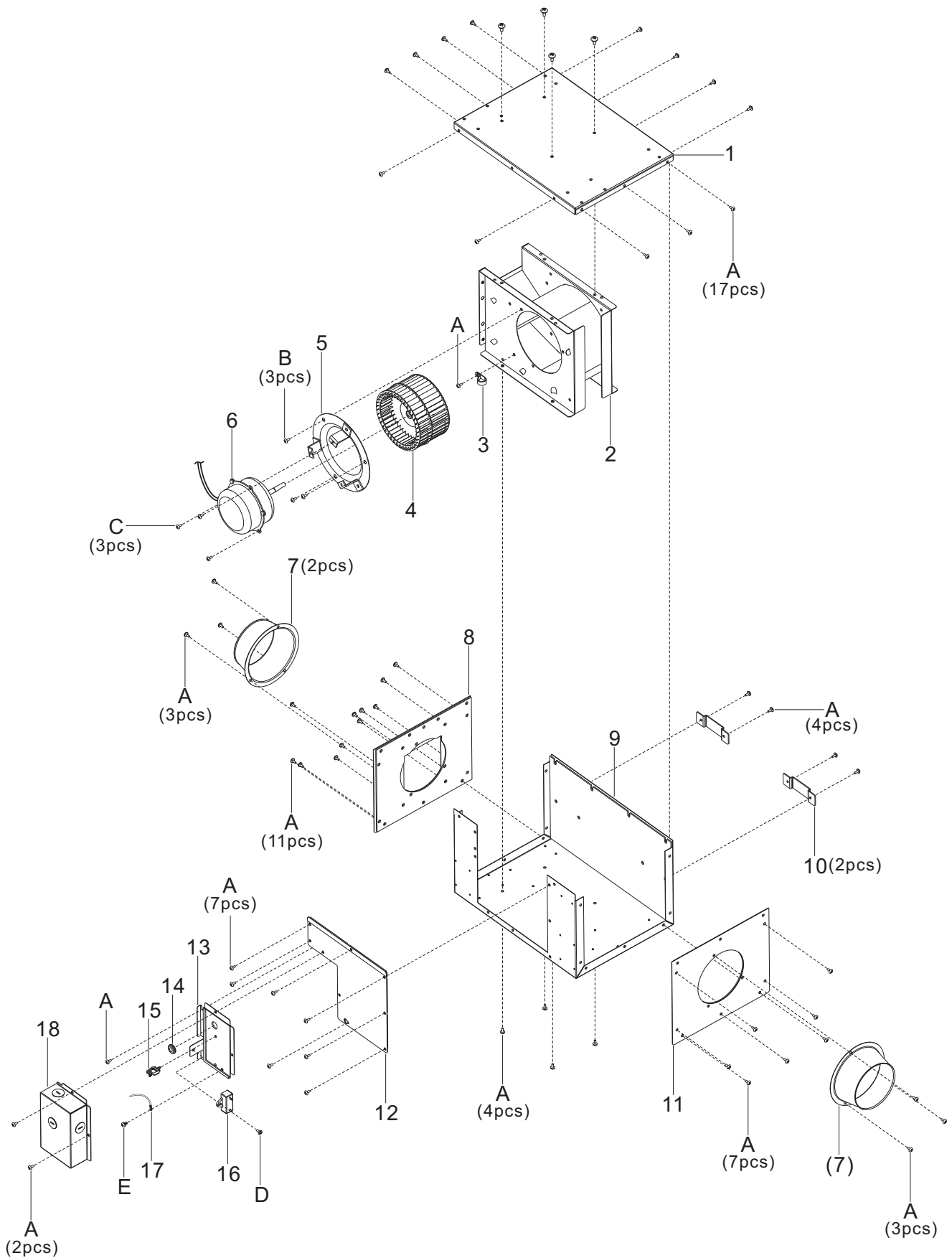
There are special components used in this equipment which are important for safety. These parts are marked by \triangle in the Schematic Diagrams, Exploded Views and Replacement Parts List. It is essential that these critical parts should be replaced with manufacturer's specified parts to prevent shock, fire or other hazards. Do not modify the original design without permission of manufacture. We suggest to handle such parts after the static electricity prevention. It is forbidden to touch the PCB parts by bare hands during the repairing process.

CONTENTS	PAGE
1.Parts Identification.....	1~2
2.Wiring Diagram.....	3
3.Parts List.....	4~5

1. Parts Identification

FV-10NLF1E

Main Body Section



1. Parts Identification

FV-10NLF1E

Main Labels



19



20



21

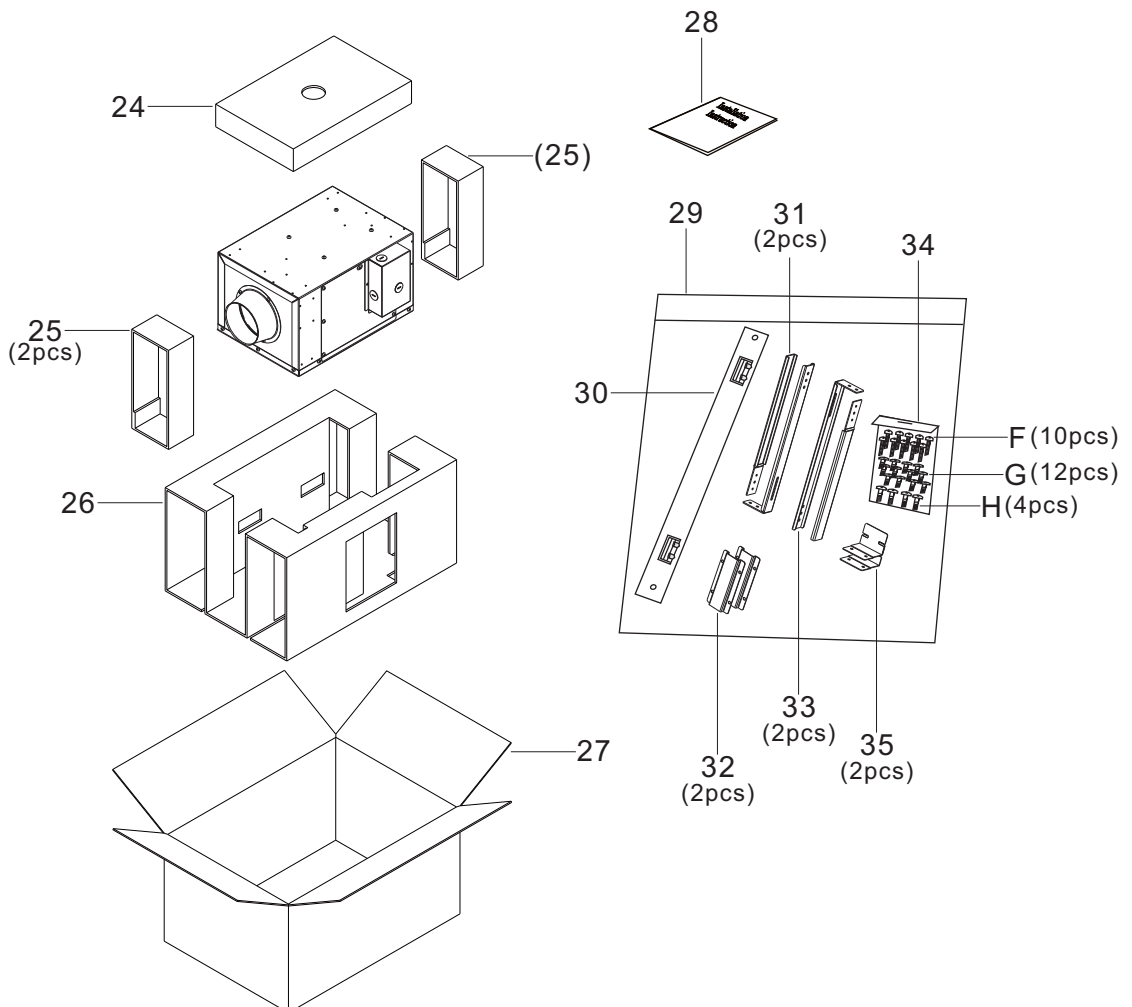


23



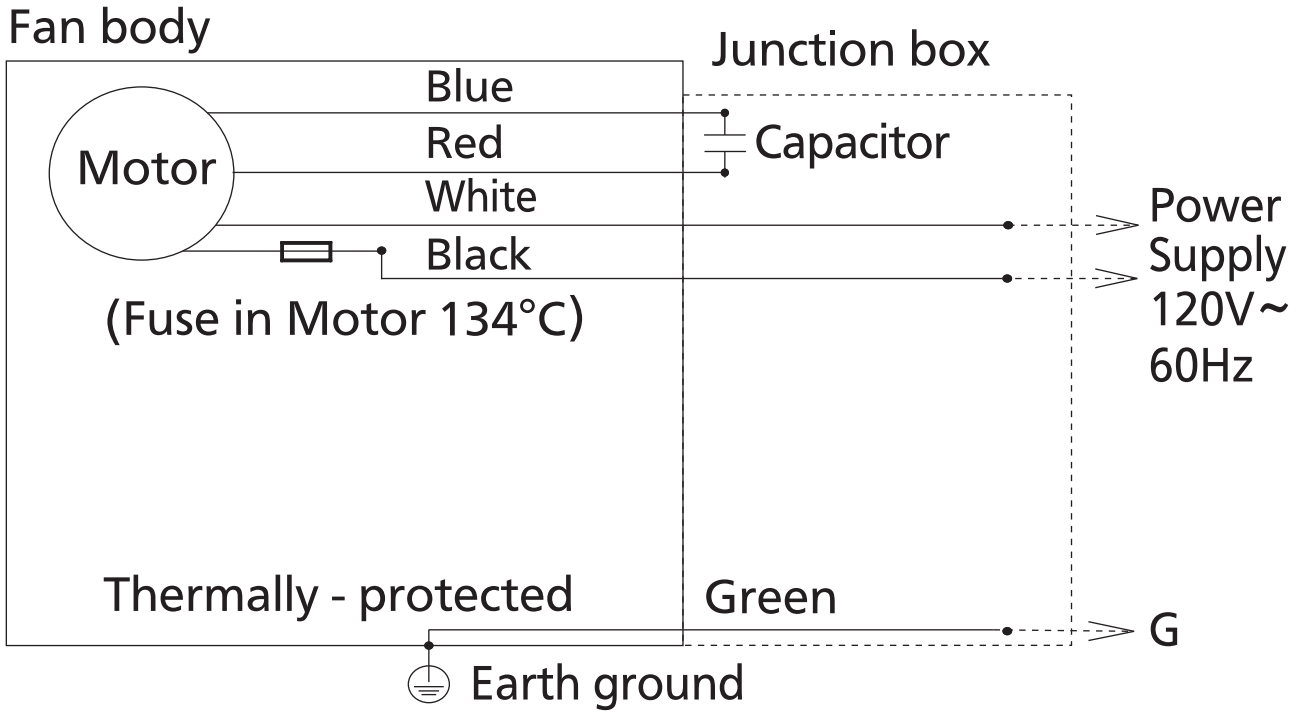
22

Packing Section



2. Wiring Diagram

FV-10NLF1E



3. Parts List

FV-10NLF1E

Main Body Section

No.	Part No.	Part Name	Q'ty	Remark
1	FFV4660093S	Bottom Panel	1	Include Insulation B
2	FFV0790006S	Casing Assy.	1	
3	FFV0740027S	Nylon Clamp	1	
4	FFV0400050S	Blade Assy.	1	
5	FFV3730001S	Motor Support Assy.	1	
6	FFV3700345S	Motor Assy.	1	⚠
7	FFV0000159S	Adapter Assy.	2	Include Packing
8	FFV4660094S	Outlet Panel Assy.	1	Include Insulation D
9	FFV4660095S	Frame Panel Assy.	1	Include Insulation B&Insulation C
10	FFV2230002S	Holder	2	
11	FFV4660096S	Inlet Panel Assy.	1	Include Insulation D
12	FFV4660097S	Inspection Base Assy.	1	Include Insulation A
13	FFV5830023S	Terminal Base Assy.	1	Include Insulation E
14	FFV0740008S	Cord bushing	1	
15	FFV0740022S	Cord Clip	1	
16	FFV0760060S	Condenser	1	⚠
17	FFV1300021S	Earth lead wire	1	⚠
18	FFV0760023S	Condenser Cover	1	
A	FFV7000074S	Truss Tap Screw	60	
B	FFV7000141S	Truss Tap Screw	3	For Fixing Motor Support Assy.
C	FFV7000123S	Pan Tap Screw	3	For Fixing Motor Assy.
D	FFV7000089S	Truss Tap Screw	1	For Fixing Condenser
E	FFV7000211S	Earth Screw Assy	1	For Fixing Earth Lead Wire ⚠

Main Labels

No.	Part No.	Part Name	Q'ty	Remark
19	FFV6730095S	Warning Label	1	
20	FFV4020853S	Name Plate	1	
21	FFV1320001S	ESP Mark	1	
22	FFV2260003S	UL Mark	1	
23	FFV2260002S	HVI Mark	1	

3. Parts List

FV-10NLF1E

Packing Section

No.	Part No.	Part Name	Q'ty	Remark
24	FFV4710311S	Pad	1	
25	FFV4710312S	Adapter Pad	2	
26	FFV4710313S	Frame Pad	1	
27	FFV9001220S	Packing Case Assy.	1	
28	FFV2540191S	Installation Instruction	1	
29	FFV0010028S	Accessory Set	1	
30	FFV2230001S	Hanger	1	
31	FFV0420010S	Suspension Bracket II	2	
32	FFV0420008S	Bracket Cover	2	
33	FFV0420009S	Bracket	2	
34	FFV0010029S	Accessory Set A	1	
35	FFV0020002S	Attachment	2	
F	FFV7000166S	Truss Tapping Screw	10	
G	FFV4000001S	Truss Screw	12	
H	FFV7000018S	Truss Tap Screw	4	