

SPECIFICATIONS

Capacity ⁽¹⁾	70 ppd	
Energy Factor ⁽¹⁾	2.1 L/kW-h	
Airflow @ varying E.S.P. (external static pressure - dry coil)		
	0.0" w.c.	200 CFM
	0.2" w.c.	170 CFM
	0.4" w.c.	140 CFM
Voltage, phase, frequency	120VAC, 1 phase, 60 Hz	
Current draw ⁽¹⁾	5.8 Amps	
Noise	53 dBA ducted	58 dBA unducted
Dimensions: (cabinet only) ⁽²⁾	Width	12½"
	Height	12½"
	Length	25"
Weight	56 lbs.	
Inlet air operating conditions during		
-Dehumidification:	50°F-104°F, 40°F dew point min.	
-Ventilation:	40°F-140°F, 0%-99% RH (non-condensing)	

⁽¹⁾Rated capacity and energy factor test done and current draw measured in accordance with AHAM DH-1 2008 at 80°F/60% RH inlet air at 0.0 ESP. ⁽²⁾Height does not include adjustable feet. The width excludes the filter doors and length excludes the duct collars.

FEATURES

Control ⁽³⁾	Built-in digital control with display
Control mounting option	Front mount only
Cabinet insulation	½" EPS
Air discharge orientation	End of cabinet only
Inlet/Outlet duct collars	8" dia.
Backdraft damper at outlet	N/A
Filter	½" washable MERV 8
Refrigerant	R410A
Coil type	Corrosion resistant aluminum
8' Power cord	Plug type
Hardwire option	No
Discharge air temperature rise	10°F-30°F
Drain connection ⁽⁴⁾	¾" MNPT Threaded
Warranty	5 Years

⁽³⁾Built-in automatic control capable to be set up for dehumidification and ventilation or zoning.

⁽⁴⁾Adapters for threaded connection for plastic hose included.



PRINCIPLE OF OPERATION

The Aprilaire Model 1820 Dehumidifier is designed to dehumidify the air coming into the unit by passing the incoming air over an evaporator coil to drop the air temperature below the dew point of the air. Moisture is removed from the air and drained out of the unit to a common floor or waste drain. The air is then reheated in the condenser coil and exits the unit.

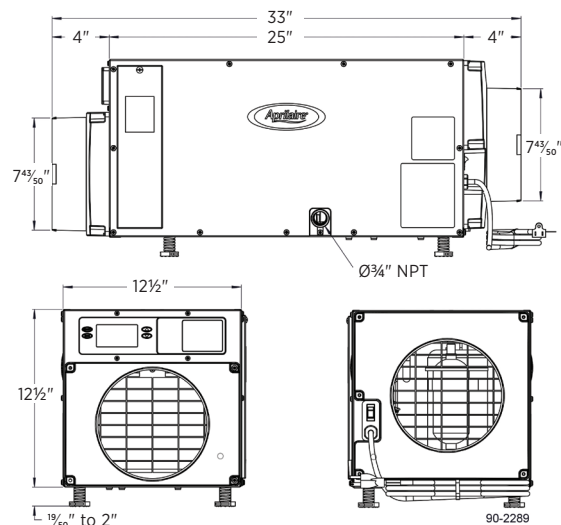
Dehumidification occurs until the set point is reached, then shuts off until periodic sampling determines a need for operation.

APPLICATION

The Aprilaire Model 1820 Dehumidifier is the perfect solution for controlling humidity in crawl spaces; protecting against structural damage, pests and mold.

CIRCULATION

The Model 1820 can also be programmed to circulate the air within a crawl space. Circulating the air evens out relative humidity levels and temperature in the space, eliminating variations in the environment.

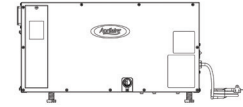


Installation Options For the Aprilaire 1820 Dehumidifiers

APPLICATIONS

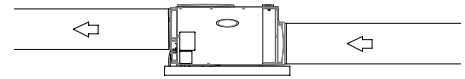
Freestanding

- Air is pulled into the dehumidifier directly from the space, dehumidified and returned to the space.



Inlet and Outlet ducted

- Ducted with 8" flex duct or hard pipe.
- Helps circulate air to equalize humidity and temperature in the space.



Optional Wall-Mount Controls



Model 8620/8620W with IAQ Control

- Universal 2H/2C or 4H/2C HP
- Event-Based™ Air Cleaning
- Humidity or Ventilation
- Wi-Fi touch screen (8620W)



Model 76 Wall Mount Dehumidifier Control

- On/Off buttons
- Wall mounted living space control
- Displays RH and controls to an RH value
- Remote control for crawl space applications and sealed attics



Model 8910/8910W with IAQ Control

- Universal 3H/3C or 4H/2C HP
- Event-Based™ Air Cleaning
- Humidity and Ventilation
- 2 Part-3-Wire design
- Wi-Fi touch screen (8910W)



Model 8920W with IAQ Control

- Universal 3H/3C or 4H/2C HP
- Event-Based™ Air Cleaning
- Humidity and Ventilation
- 2 Part-3-Wire design
- Full color Wi-Fi touch screen



Model 5660 Hanging Kit For 1820 and 1850 Models

18.0" W x 6.9" H x 29.9" D
Weight: 13 lbs. | Working Load: 400 lbs.

MODEL 76 SPECIFICATIONS

Electrical	External	Remote
Input voltage and current	Voltage: 24VAC +/-20% Current: 25mA (nominal), 50mA (max.) at 24VAC	Voltage: 35VDC (supplied by dehumidifier control board)
Output	Dry contact, normally open	Communication (RS485)
Control	External	Remote
Control range	40% 80% RH	1 (less dry)–7 (more dry) 65°F–40°F dew point
Accuracy	+/-5% RH	See dehumidifier specifications
Differential	3% RH	
Low limit	40°F dew point	50°F dry bulb, 40°F dew point min.
High limit	99°F dry bulb	105°F dry bulb